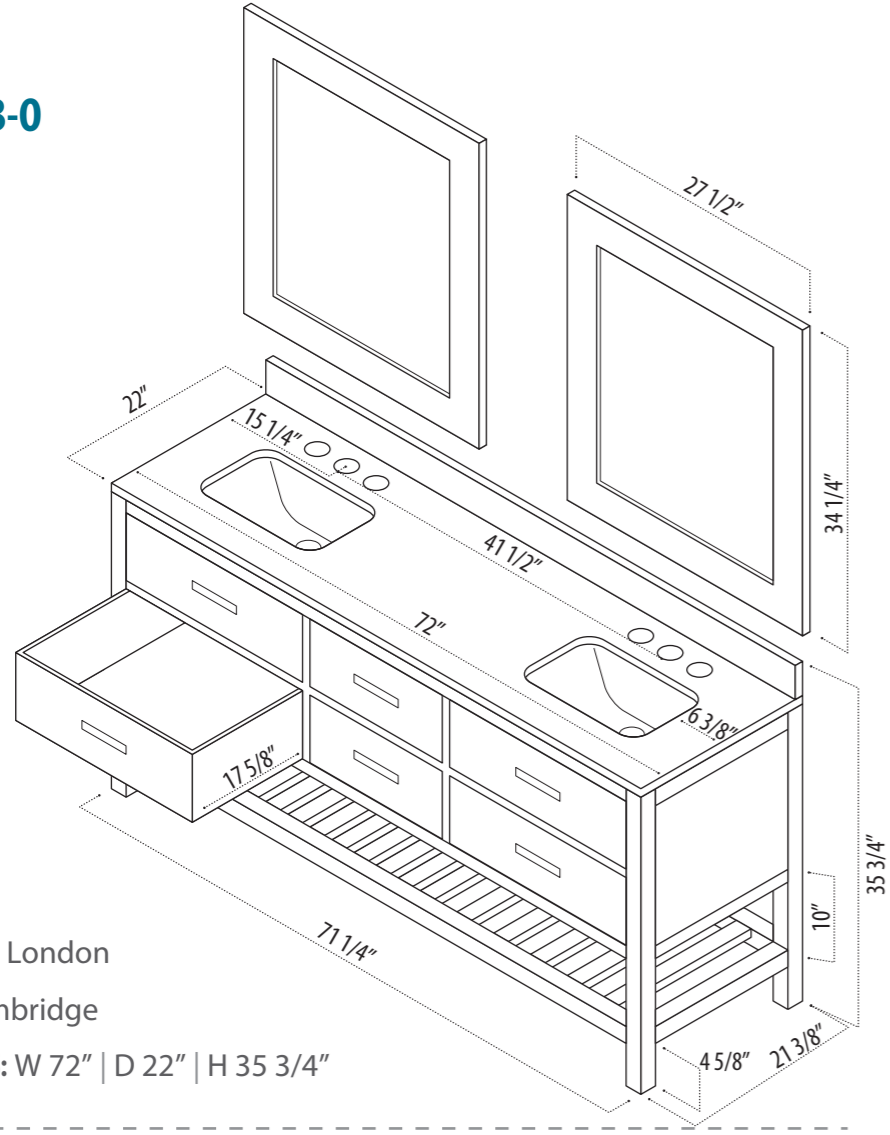


# INSTRUCTION MANUAL

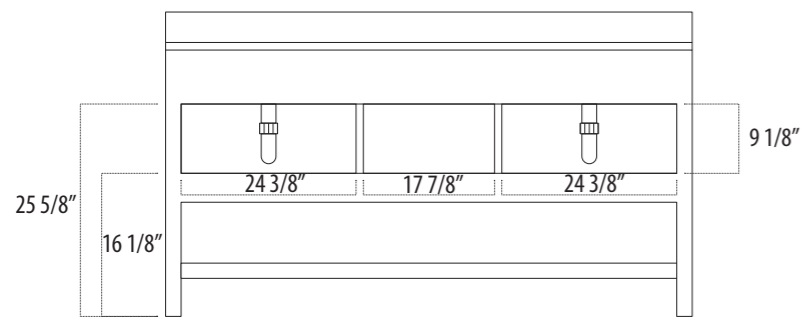
SKU CODE:  
**DEC077B-0**

FRONT



COLLECTION: London  
SERIES: Cambridge  
DIMENSIONS: W 72" | D 22" | H 35 3/4"

BACK



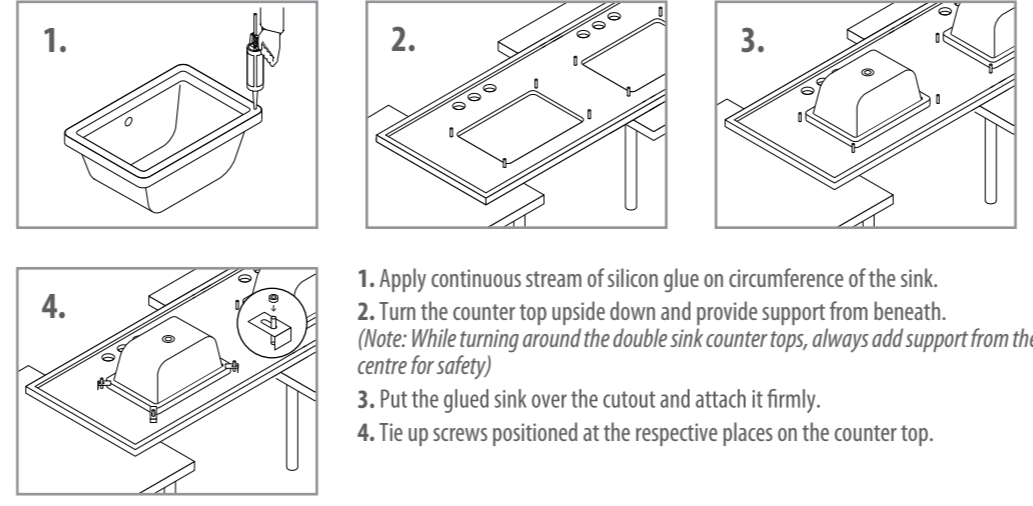
## PACKING LIST

- Pre-assembled cabinet
- Countertop
- 2 Sinks
- 2 Mirrors
- Mirror mounting screws
- Drain
- Instruction Manual

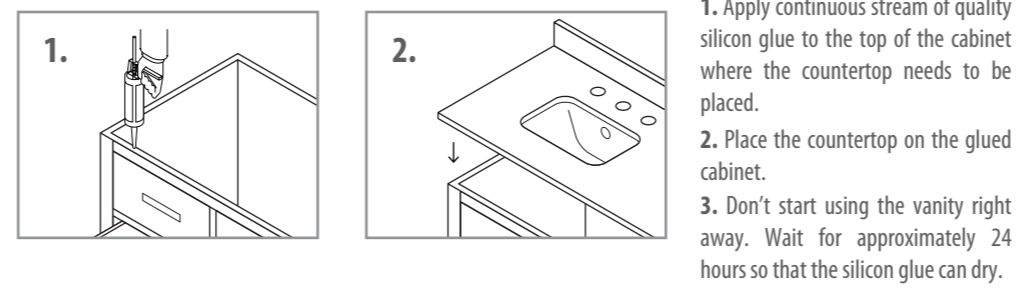
## WARRANTY

Design Element warrants cabinets, mirrors, finishes and fittings to be free from defects in workmanship and materials under normal use and service for a period of one (1) year. Please report any damage or missing pieces of your vanity to us immediately. These things must be reported no later than 30 days from the date of delivery.

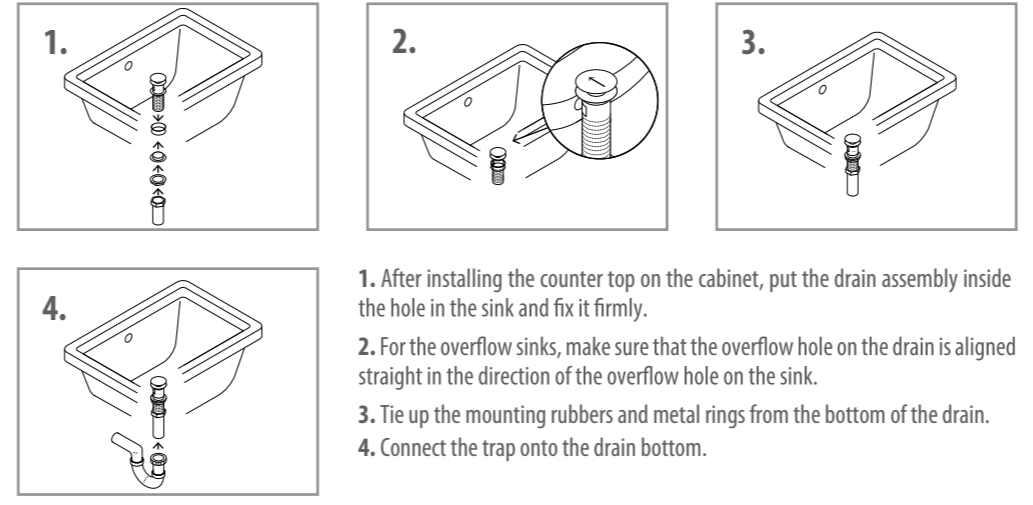
## Attaching Sink To The Counter Top



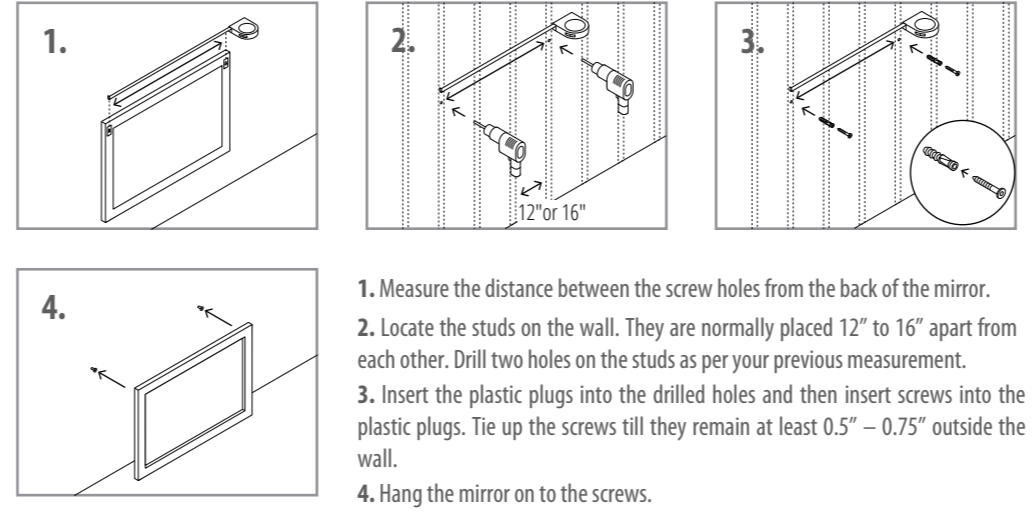
## Attaching Counter Top To Cabinet



## Installing The Drain On The Sink

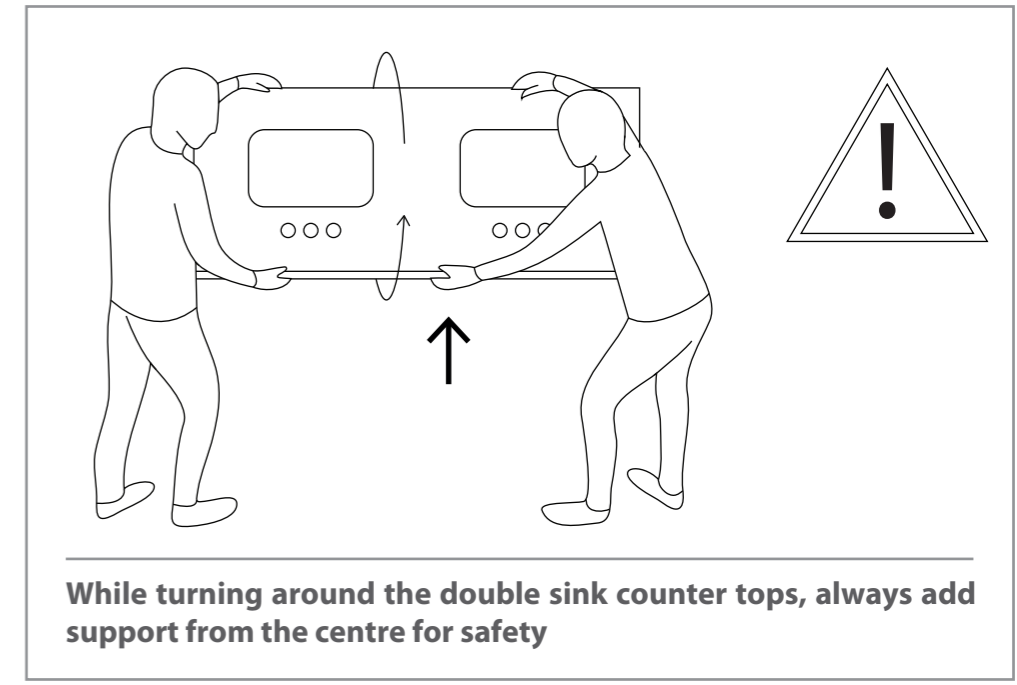


## Hanging Mirror On The Wall



## SAFETY AND PRECAUTIONS

- Please go through this entire instruction manual before making any attempt to assemble, operate or install the product.
- During installation, handle the countertop and sink with optimum care. They might break if hit hard on a solid surface.
- Don't start using the vanity right away. Wait for approximately 24 hours after installation so that the silicon glue can dry.
- When scrubbing the cabinet while cleaning, make sure you do not remove or scratch the finish.



## CARE AND CLEANING

- Avoid using any type of rough cleaning material on top of the cabinet finish.
- Use mild liquid soap and water-dampened soft cloth to remove stains from the cabinet and to clean the marble countertop.
- For the glass part of the mirror, use ammonia-free cleaning products.

## CONTACT SUPPORT

PHONE: (888) 487-4488  
EMAIL: [cs@designelementusa.com](mailto:cs@designelementusa.com)  
ADDRESS: 8715 Boston place, Rancho Cucamonga, CA. 91730

[www.designelementusa.com](http://www.designelementusa.com)

