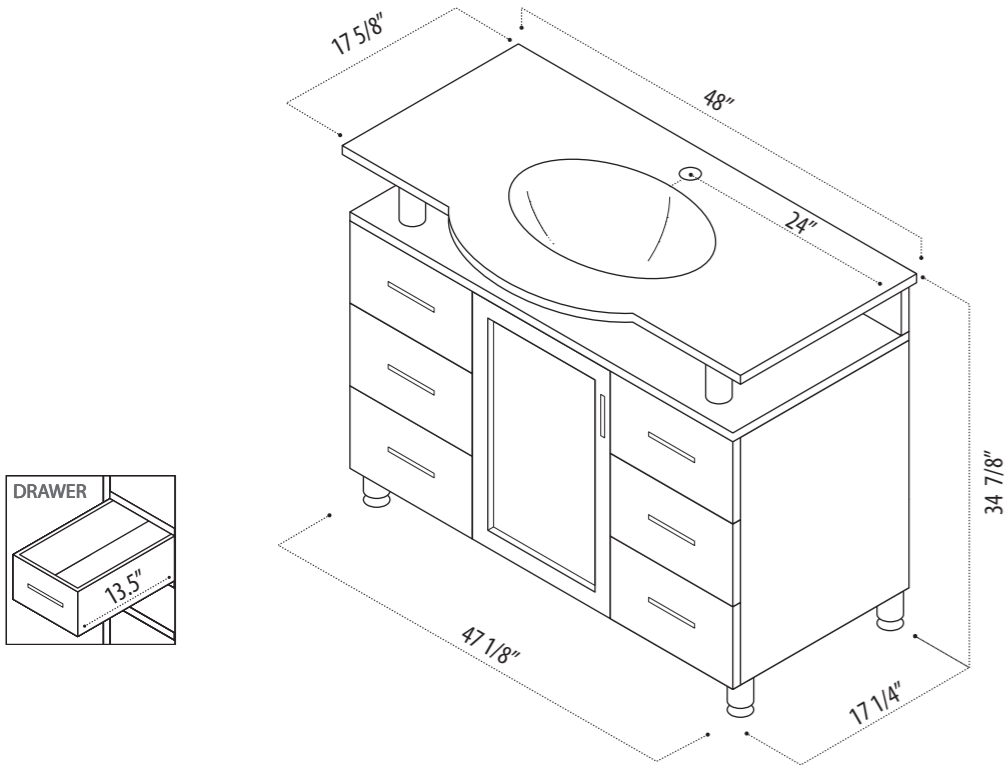


INSTRUCTION MANUAL

SKU CODE:

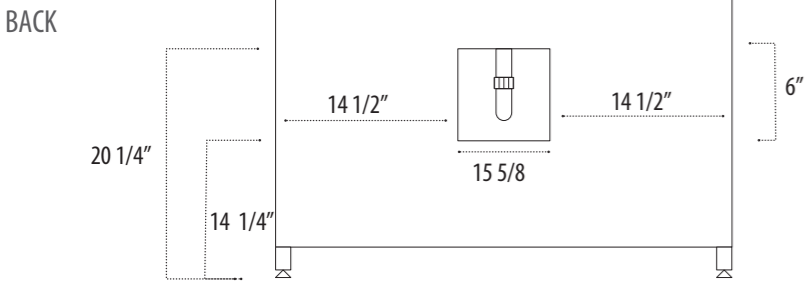
DEC015C

FRONT



COLLECTION: Huntington

DIMENSIONS: W 48" | D 22" | H 34 7/8"



PACKING LIST

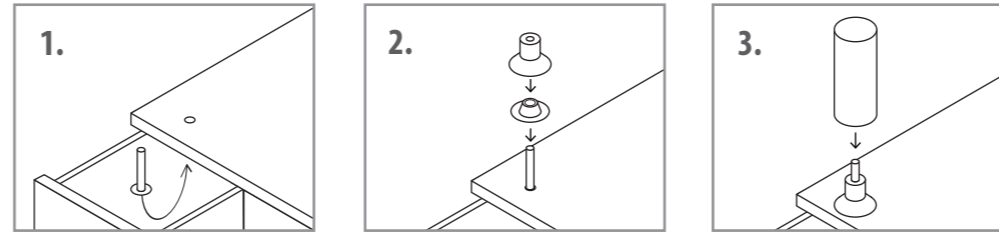
- Pre-assembled cabinet
- Drain
- Integrated sink countertop
- Instruction Manual
- 4 Cabinet legs

WARRANTY

Design Element warrants cabinets, finishes and fittings to be free from defects in workmanship and materials under normal use and service for a period of one (1) year.

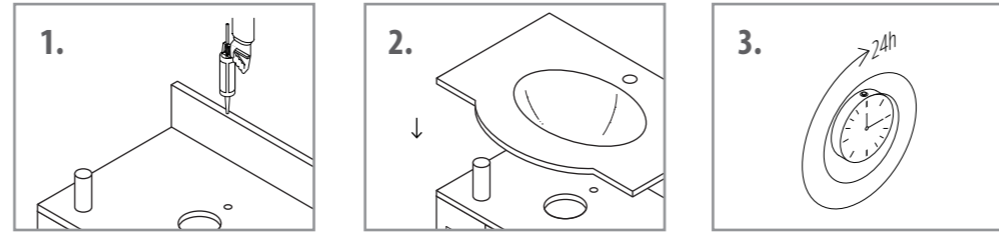
Please report any damage or missing pieces of your vanity to us immediately. These things must be reported no later than 30 days from the date of delivery.

Installing Support For Countertop



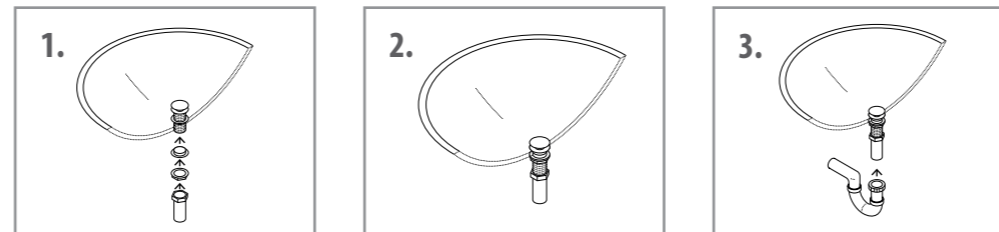
1. Open the drawer and put the screw inside the hole placed on the cabinet
2. Tie the rubber and steel parts on the screw to hold it
3. Mount the round metal cylindrical support over the screw. Tie till it gets firmly attached

Attaching Counter Top To Cabinet



1. Apply continuous stream of quality silicon glue to the top of the cabinet where the integrated sink needs to be placed.
2. Place the integrated glass sink on the glued cabinet.
3. Do not use the sink instantly. Wait approximately for 24 hours so that the silicon glue can dry.

Installing A Drain



1. After installing the sink on the countertop, put the drain assembly inside the hole in the sink and fix it firmly.
2. Tie up the mounting rubbers and rings from the bottom of the drain.
3. Connect the trap onto the drain bottom.

SAFETY AND PRECAUTIONS

- Please go through this entire manual before attempting to assemble, operate or install the product.
- While installing support for counter top, handle the integrated sink countertop with special care. Make sure the support is fully tightened up before you put the countertop over it.
- Do not use the vanity instantly after installation. Once you have applied glue to attach the countertop and sink, wait for approximately 24 hours to let it dry.
- Avoid extreme hot then cold water on the glass sinks and countertops, as it might damage it.
- When scrubbing the cabinet, make sure you do not remove or scratch the finish.

CARE AND CLEANING

- Having your entire sink and countertop as one, non porous material, makes it extremely easy to clean and maintain.
- Avoid using any type of rough cleaning material on top of the cabinet finish.
- Use mild liquid soap and water-dampened soft cloth to remove stains from the cabinet and to clean the countertop.

CONTACT SUPPORT

PHONE: (888) 487-4488

EMAIL: cs@designelementusa.com

ADDRESS: 8715 Boston place, Rancho Cucamonga, CA. 91730

www.designelementusa.com

