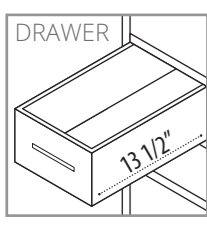


INSTRUCTION MANUAL

SKU CODE:
B36-DS

FRONT



COLLECTION: Stanton

DIMENSIONS: W 35 3/8" | D 18" | H 35 3/8"

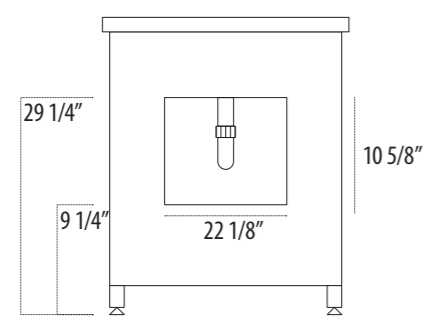
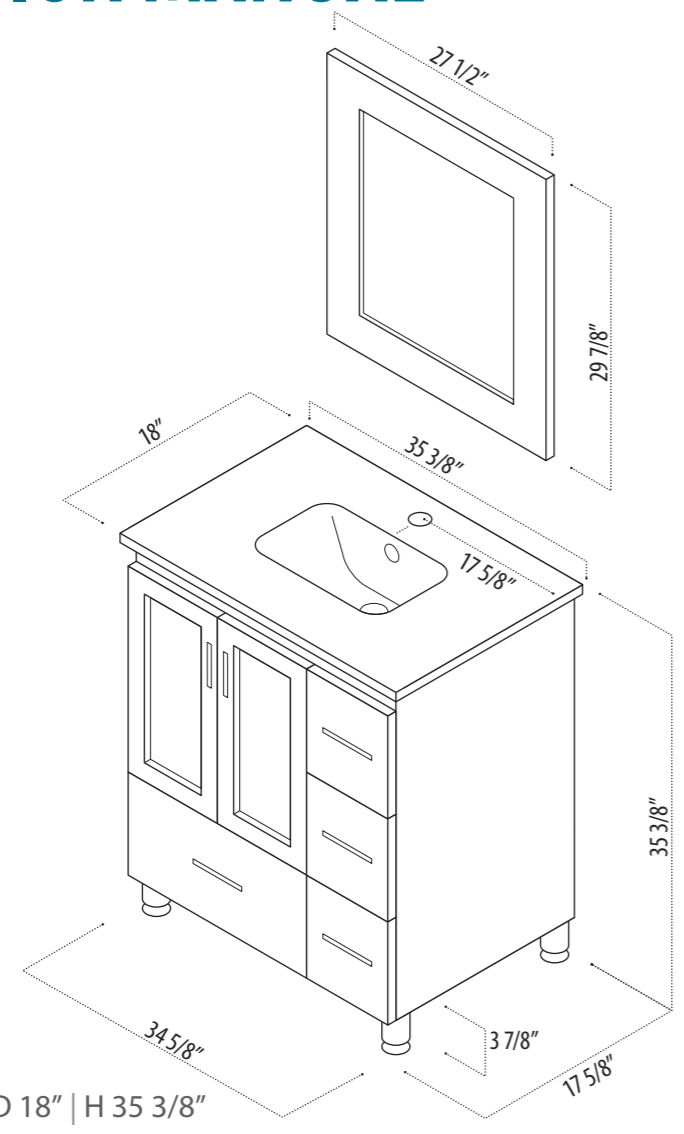
BACK

PACKING LIST

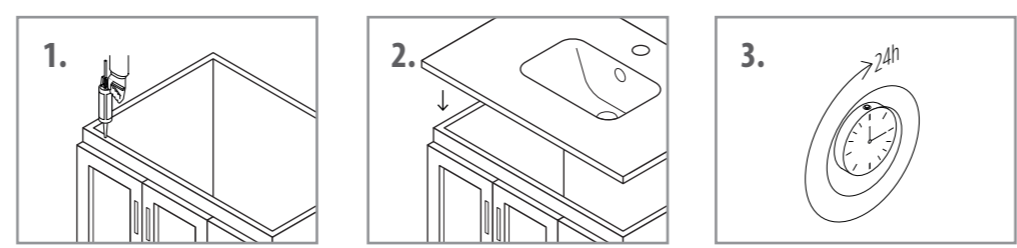
- Pre-assembled cabinet
- Integrated sink countertop
- 1 Mirror
- 4 Cabinet legs
- Mirror mounting screws
- Drain
- Instruction Manual

WARRANTY

Design Element warrants cabinets, mirrors, finishes and fittings to be free from defects in workmanship and materials under normal use and service for a period of one (1) year. Please report any damage or missing pieces of your vanity to us immediately. These things must be reported no later than 30 days from the date of delivery.

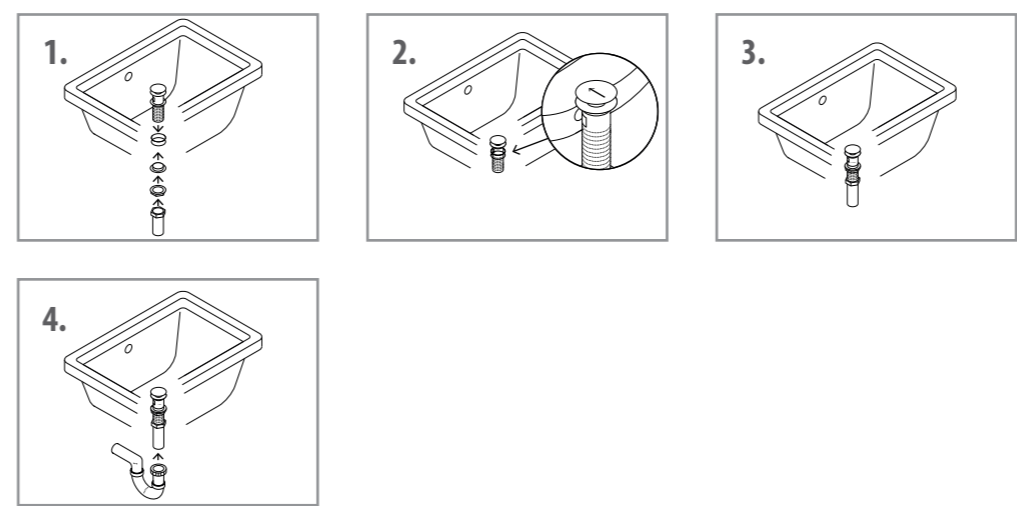


Attaching Counter Top To Cabinet



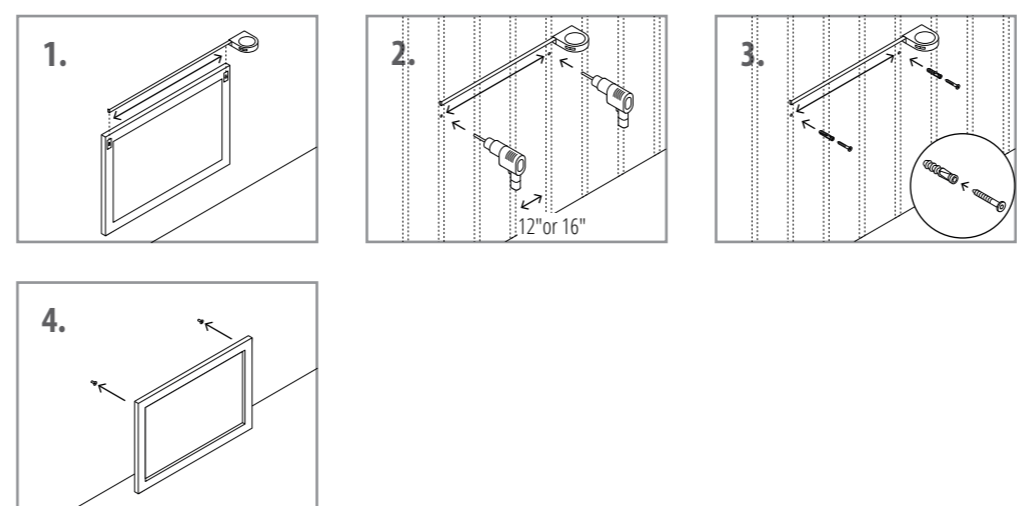
1. Apply continuous stream of quality silicon glue to the top of the cabinet where the integrated sink needs to be placed.
2. Now place the integrated glass sink on the glued cabinet.
3. Do not use the sink instantly. Wait approximately for 24 hours for the Silicon glue to dry.

Installing The Drain On The Sink



1. After you have installed the sink and countertop on the cabinet, put the drain assembly inside the hole in the sink and fix it firmly.
2. For only the overflow sinks, make sure that the hole on the drain is aligned with the overflow hole on the sink.
3. Tie up the rubber and metal mounting rings over the drain opening from beneath the sink.
4. Now that the drain is installed, you can connect the trap onto the drain.

Hanging Mirror On The Wall



1. Measure the distance between the screw holes at the back of the mirror.
2. Find the studs on the wall and drill two holes inside the studs as per your measurement.
3. Insert the plastic plugs into the drilled holes. Insert screws into the plastic plugs. Leave the screws at least 0.5" – 0.75" inches outside.
4. Hang the mirror on to the screws.

SAFETY AND PRECAUTIONS

- Please read and understand this entire manual before attempting to assemble, operate or install the product.
- During installation, handle the countertop and sink with optimum care.
- Once you add glue and fit the countertop / sink, wait for 24 hours to let the glue dry, before using your vanity.

CARE AND CLEANING

- Avoid using any type of rough cleaning material on top of the cabinet finish.
- Use mild liquid soap and water-dampened soft cloth to remove stains from the cabinet and to clean the integrated sink countertop.
- For the glass part of the mirror, use ammonia-free cleaning products.

CONTACT SUPPORT

PHONE: (888) 487-4488
EMAIL: cs@designelementusa.com
ADDRESS: 8715 Boston place, Rancho Cucamonga, CA. 91730

www.designelementusa.com

