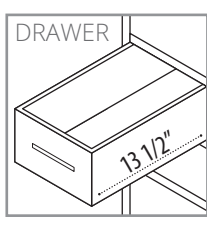


# INSTRUCTION MANUAL

SKU CODE:  
**B30-DS-W**

FRONT



COLLECTION: Stanton

DIMENSIONS: W 31 3/8" | D 18" | H 35 3/8"

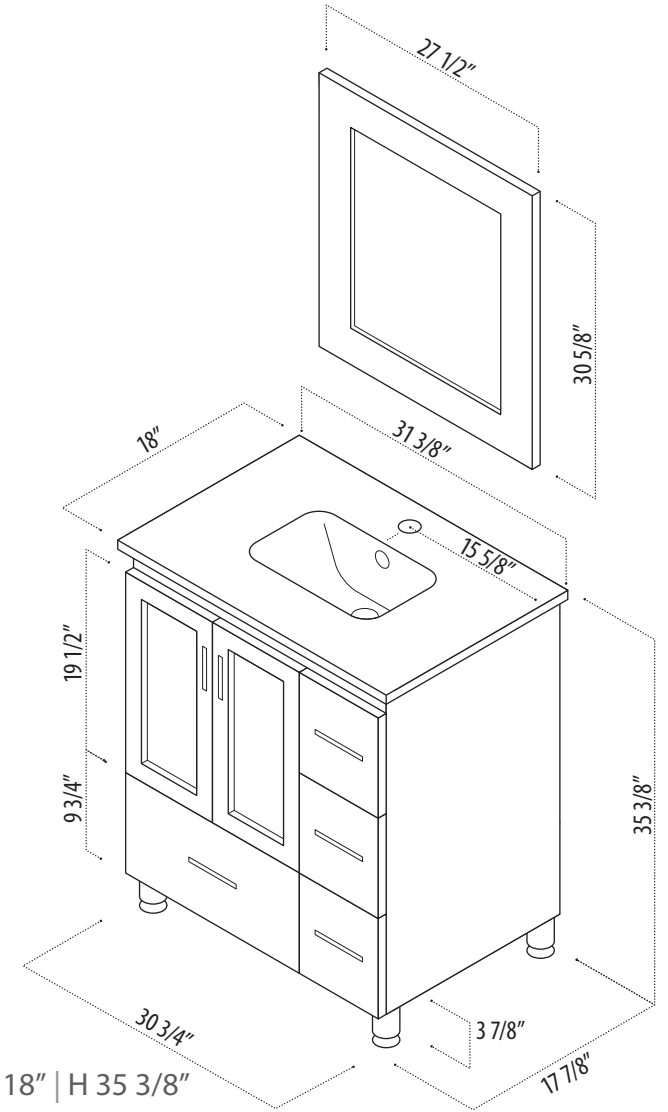
BACK

## PACKING LIST

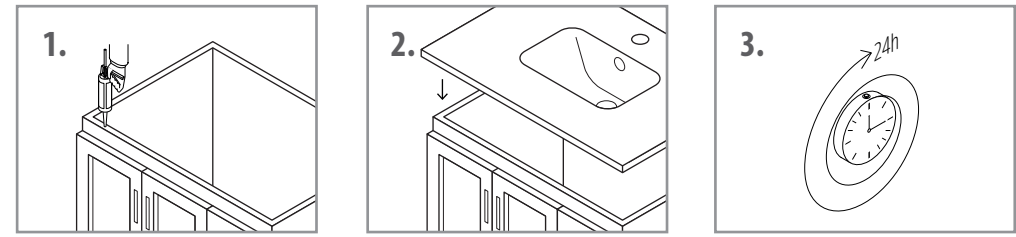
- Pre-assembled cabinet
- Integrated sink countertop
- 1 Mirror
- 4 Cabinet legs
- Mirror mounting screws
- Drain
- Instruction Manual

## WARRANTY

Design Element warrants cabinets, mirrors, finishes and fittings to be free from defects in workmanship and materials under normal use and service for a period of one (1) year. Please report any damage or missing pieces of your vanity to us immediately. These things must be reported no later than 30 days from the date of delivery.

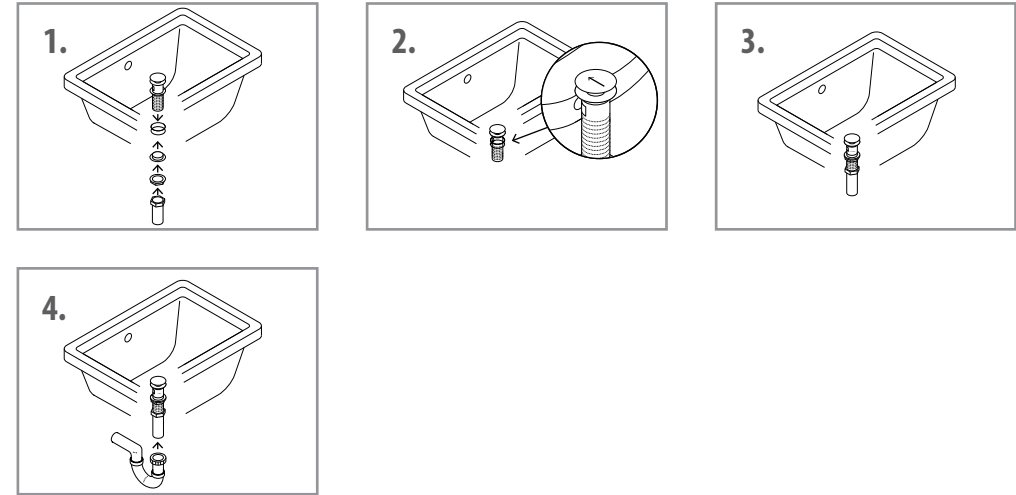


## Attaching Counter Top To Cabinet



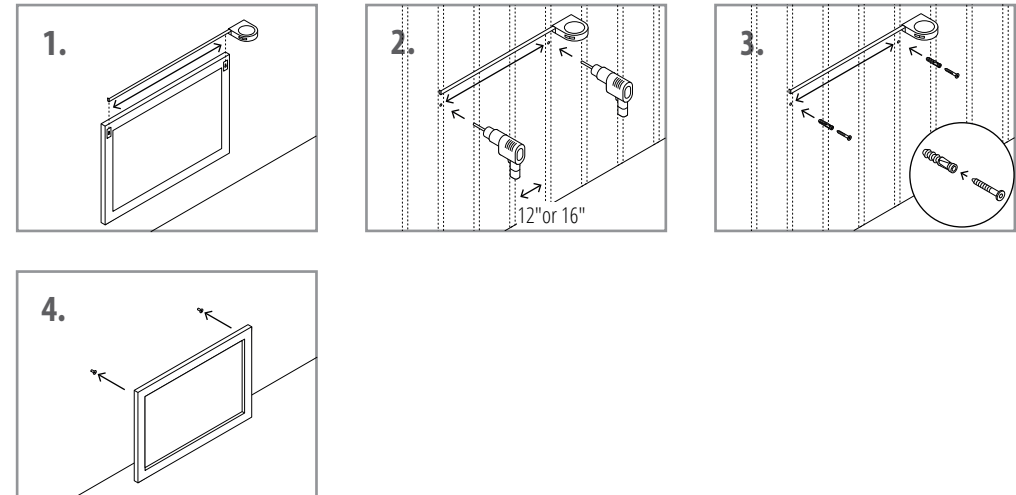
1. Apply continuous stream of quality silicon glue to the top of the cabinet where the integrated sink needs to be placed.
2. Now place the integrated sink countertop on the glued cabinet.
3. Do not use the sink instantly. Wait approximately for 24 hours for the Silicon glue to dry.

## Installing The Drain On The Sink



1. After you have installed the sink and countertop on the cabinet, put the drain assembly inside the hole in the sink and fix it firmly.
2. For only the overflow sinks, make sure that the hole on the drain is aligned with the overflow hole on the sink.
3. Tie up the rubber and metal mounting rings over the drain opening from beneath the sink.
4. Now that the drain is installed, you can connect the trap onto the drain.

## Hanging Mirror On The Wall



1. Measure the distance between the screw holes from the back of the mirror.
2. Locate the studs on the wall. They are normally placed 12" to 16" apart from each other. Drill two holes on the studs as per your previous measurement.
3. Insert the plastic plugs into the drilled holes and then insert screws into the plastic plugs. Tie up the screws till they remain at least 0.5" – 0.75" outside the wall.
4. Hang the mirror on to the screws.

## SAFETY AND PRECAUTIONS

- Please go through this entire instruction manual before making any attempt to assemble, operate or install the product.
- During installation, handle the integrated sink countertop with optimum care. It might break if hit hard on a solid surface.
- Don't start using the vanity right away. Wait for approximately 24 hours after installation so that the silicon glue can dry.
- When scrubbing the cabinet while cleaning, make sure you do not remove or scratch the finish.

## CARE AND CLEANING

- Avoid using any type of rough cleaning material on top of the cabinet finish.
- Use mild liquid soap and water-dampened soft cloth to remove stains from the cabinet and to clean the integrated sink countertop.
- For the glass part of the mirror, use ammonia-free cleaning products.

## CONTACT SUPPORT

PHONE: (888) 487-4488  
 EMAIL: [cs@designelementusa.com](mailto:cs@designelementusa.com)  
 ADDRESS: 8715 Boston place, Rancho Cucamonga, CA. 91730

[www.designelementusa.com](http://www.designelementusa.com)

