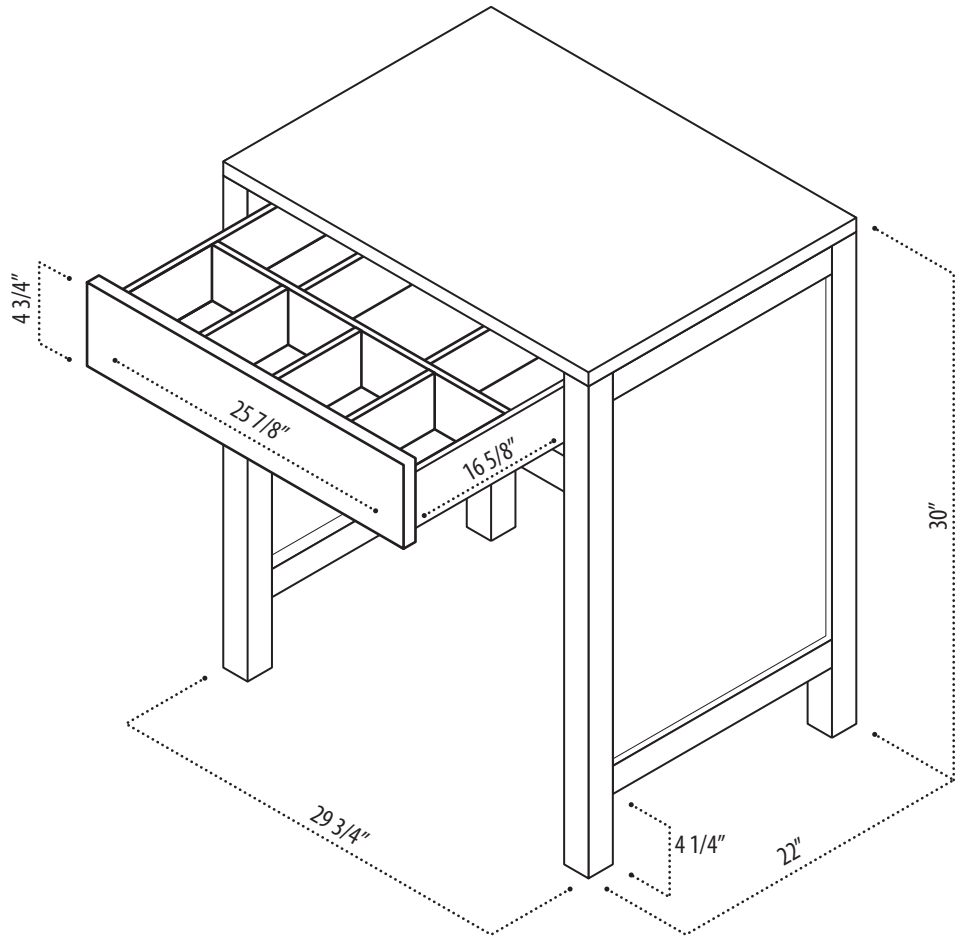
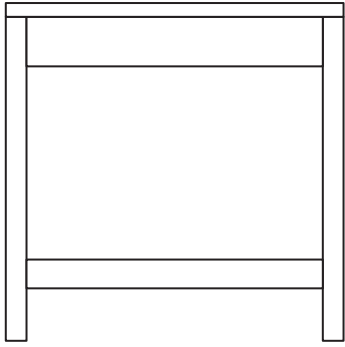


INSTRUCTION MANUAL

SKU CODE:

MUT

FRONT



COLLECTION: London

DIMENSIONS: W 29 3/4" | D 22" | H 30"

PRODUCT OVERVIEW

- Solid oak wood construction
- Espresso finish.
- Featuring a marble countertop surface
- 1 Pull-out drawer.
- 7 slots inside the drawer to store your items.

CARE AND CLEANING

- Avoid using any type of rough cleaners or chemicals on the finish.
- Cabinet finish is water resistant, use mild liquid soap and a soft cloth to clean the cabinet body.
- Scrub the cabinet smoothly, while taking care not to remove or scratch the finish.
- Use a mild liquid soap and a soft cloth to clean white carrera marble piece placed on top of the Make up table.

WARRANTY

Design Element warrants marble, fittings and finishes to be free from any defect in workmanship and materials under normal use and service for a period of one (1) year. In case of any damage, report it within 30 days.

CONTACT SUPPORT

PHONE: (888) 487-4488

EMAIL: cs@designelementusa.com

ADDRESS: 8715 Boston place, Rancho Cucamonga, CA. 91730

www.designelementusa.com

