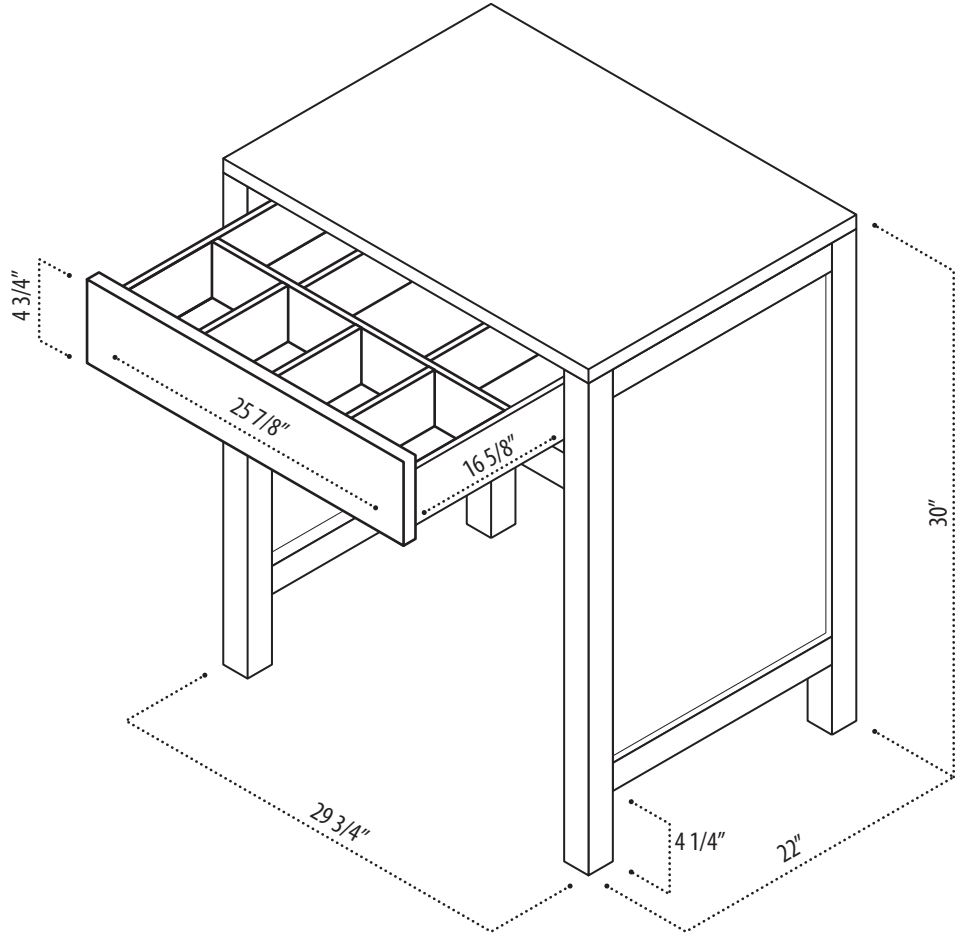
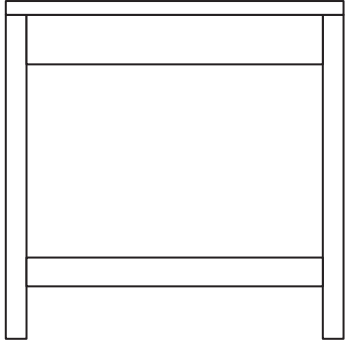


# INSTRUCTION MANUAL

SKU CODE:

**MUT-W**

FRONT



**COLLECTION:** London

**DIMENSIONS:** W 29 3/4" | D 22" | H 30"

## PRODUCT OVERVIEW

- Solid oak wood construction
- White finish.
- Featuring a marble countertop surface
- 1 Pull-out drawer.
- 7 slots inside the drawer to store your items.

## CARE AND CLEANING

- Avoid using any type of rough cleaners or chemicals on the finish.
- Cabinet finish is water resistant, use mild liquid soap and a soft cloth to clean the cabinet body.
- Scrub the cabinet smoothly, while taking care not to remove or scratch the finish.
- Use a mild liquid soap and a soft cloth to clean white carrera marble piece placed on top of the Make up table.

## WARRANTY

Design Element warrants marble, fittings and finishes to be free from any defect in workmanship and materials under normal use and service for a period of one (1) year. In case of any damage, report it within 30 days.

## CONTACT SUPPORT

**PHONE:** (888) 487-4488

**EMAIL:** cs@designelementusa.com

**ADDRESS:** 8715 Boston place, Rancho Cucamonga, CA. 91730

[www.designelementusa.com](http://www.designelementusa.com)

