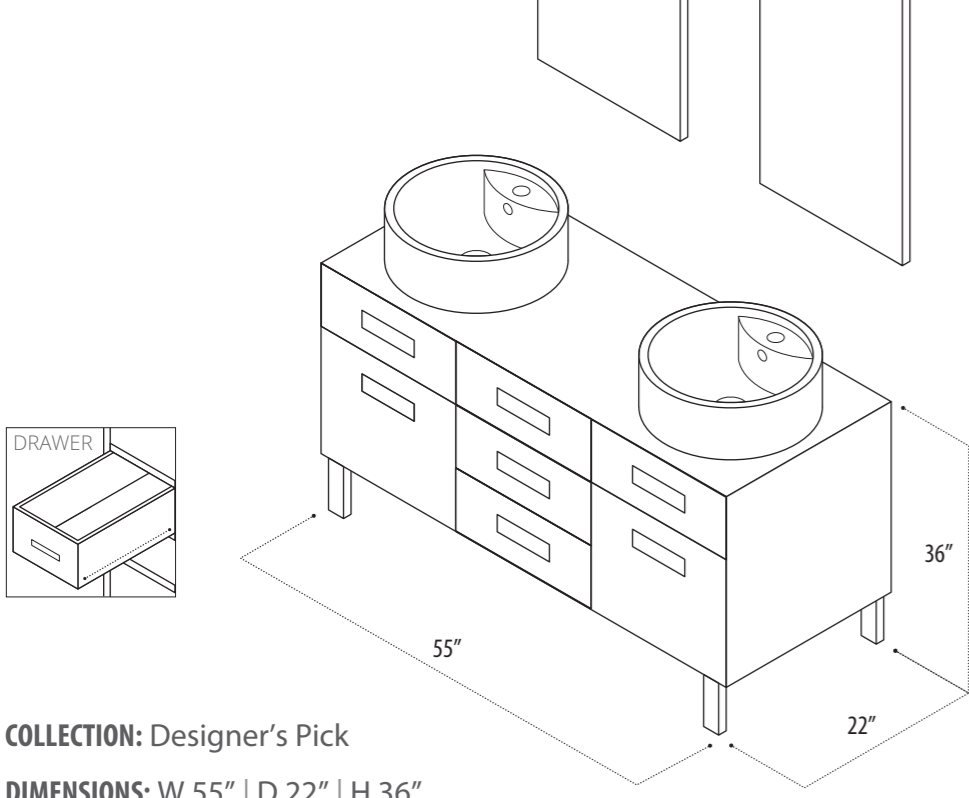


INSTRUCTION MANUAL

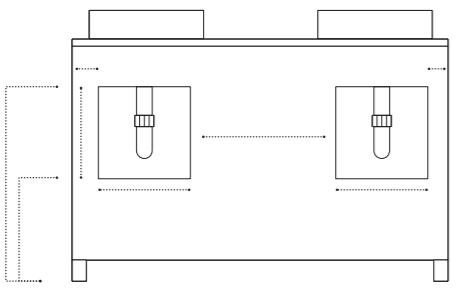
SKU CODE:
DEC350

FRONT



COLLECTION: Designer's Pick
DIMENSIONS: W 55" | D 22" | H 36"

BACK



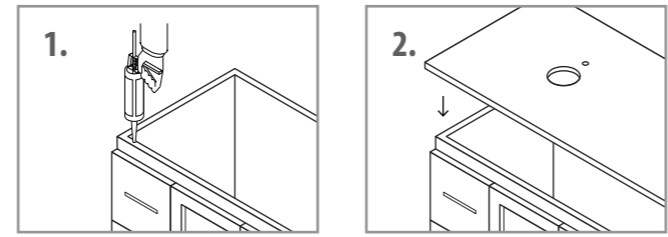
PACKING LIST

- Pre-assembled cabinet
- Countertop
- 2 Sinks
- 2 Mirrors
- Mirror mounting screws
- Drain
- Instruction Manual

WARRANTY

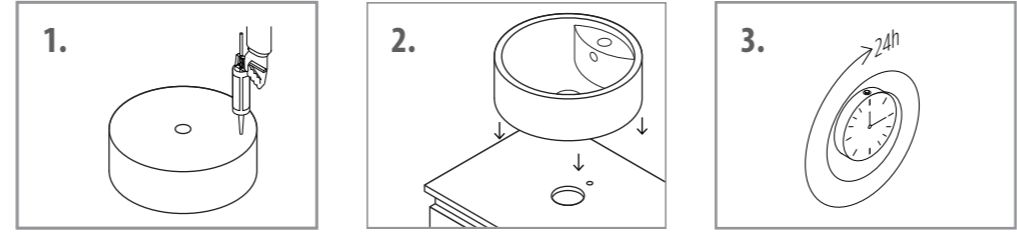
Design Element warrants cabinets, mirrors, finishes and fittings to be free from defects in workmanship and materials under normal use and service for a period of one (1) year. Please report any damage or missing pieces of your vanity to us immediately. These things must be reported no later than 30 days from the date of delivery.

Attaching Counter Top To Cabinet



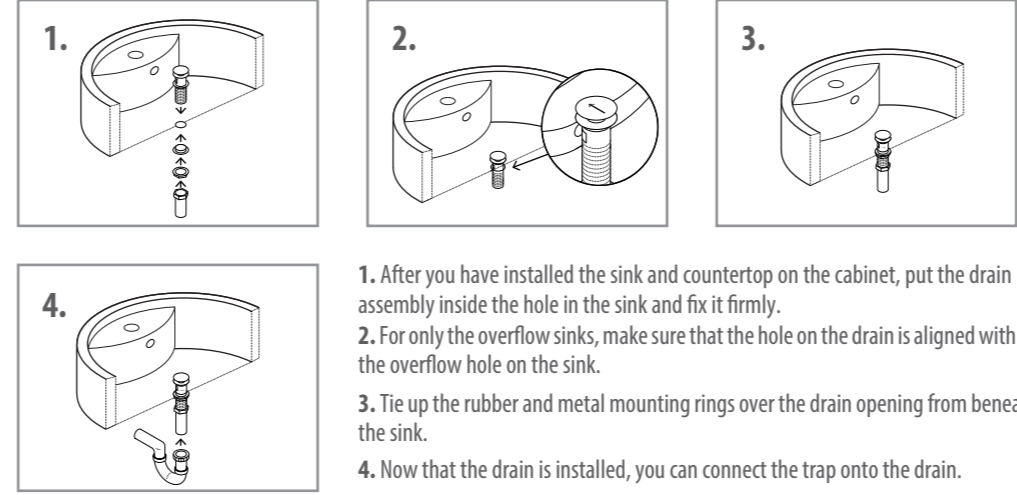
1. Apply continuous stream of quality silicon glue on top of the cabinet contact area.
2. Place the counter top on top of the cabinet.

Attaching Sink To Counter Top



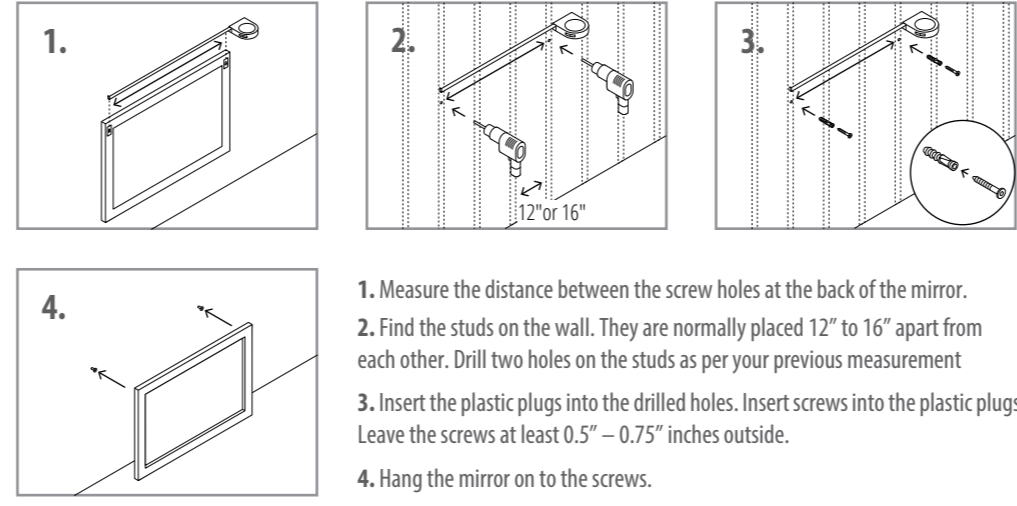
1. Add silicon glue to the porcelain vessel sinks. For round glass vessel sinks do not put glue.
2. Position and place the vessel sink in a way that it fits in the cut out area on the countertop.
3. Do not use the sink instantly. Wait approximately for 24 hours for the Silicon glue to dry.

Installing The Drain On The Sink



1. After you have installed the sink and countertop on the cabinet, put the drain assembly inside the hole in the sink and fix it firmly.
2. For only the overflow sinks, make sure that the hole on the drain is aligned with the overflow hole on the sink.
3. Tie up the rubber and metal mounting rings over the drain opening from beneath the sink.
4. Now that the drain is installed, you can connect the trap onto the drain.

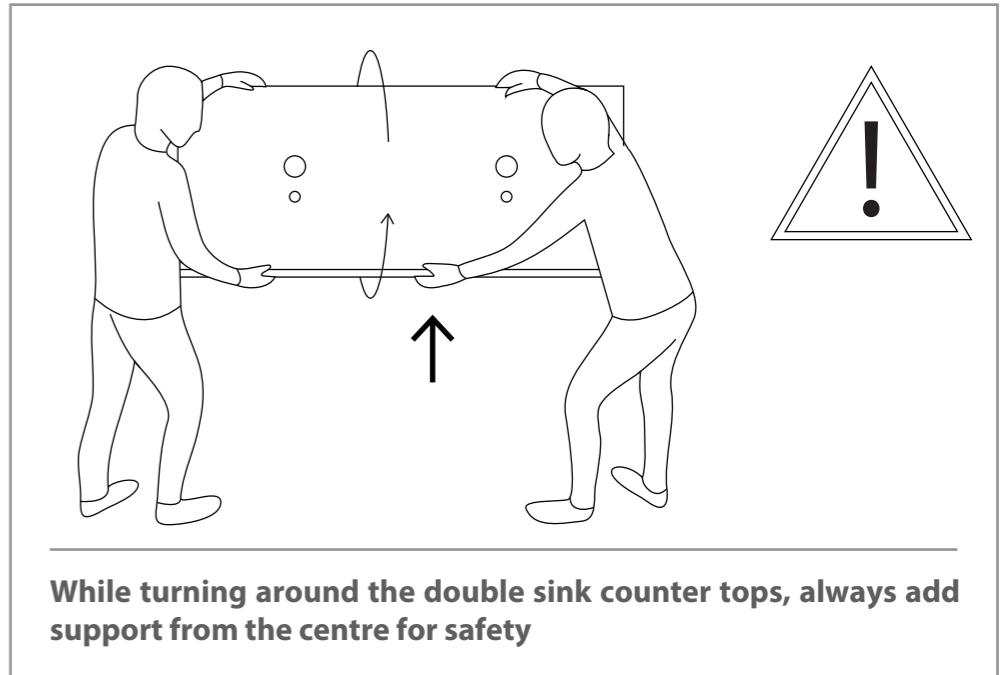
Hanging Mirror On The Wall



1. Measure the distance between the screw holes at the back of the mirror.
2. Find the studs on the wall. They are normally placed 12" to 16" apart from each other. Drill two holes on the studs as per your previous measurement
3. Insert the plastic plugs into the drilled holes. Insert screws into the plastic plugs. Leave the screws at least 0.5" - 0.75" inches outside.
4. Hang the mirror on to the screws.

SAFETY AND PRECAUTIONS

- Please go through this entire instruction manual before making any attempt to assemble, operate or install the product.
- During installation, handle the tempered glass countertop and sink with optimum care. They might break if hit hard on a solid surface.
- Don't start using the vanity right away. Wait for approximately 24 hours after installation so that the silicon glue can dry.
- When scrubbing the cabinet while cleaning, make sure you do not remove or scratch the finish.



While turning around the double sink counter tops, always add support from the centre for safety

CARE AND CLEANING

- Avoid using any type of rough cleaning material on top of the cabinet finish.
- Use mild liquid soap and water-dampened soft cloth to remove stains from the cabinet and to clean the countertop.
- For the glass part of the mirror, use ammonia-free cleaning products.

CONTACT SUPPORT

PHONE: (888) 487-4488
EMAIL: cs@designelementusa.com
ADDRESS: 8715 Boston place, Rancho Cucamonga, CA. 91730

www.designelementusa.com

