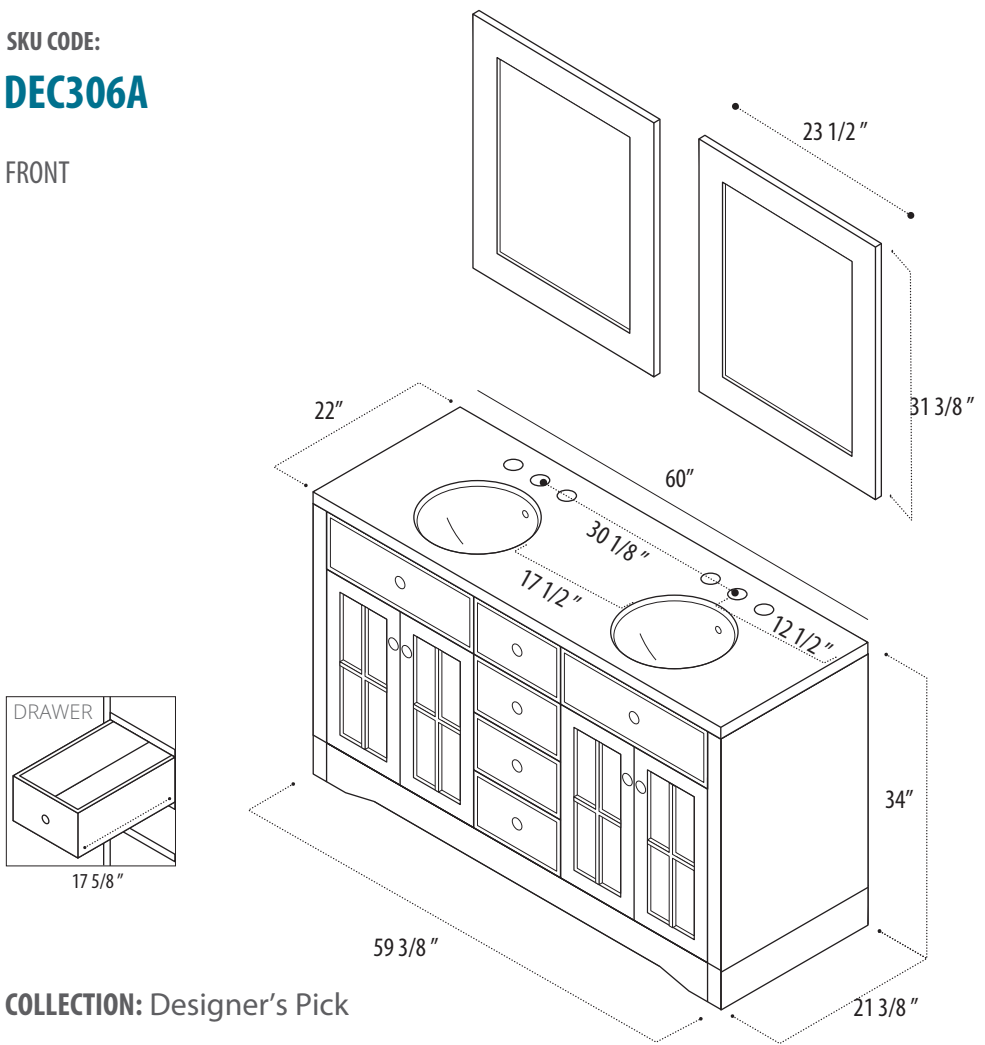


INSTRUCTION MANUAL

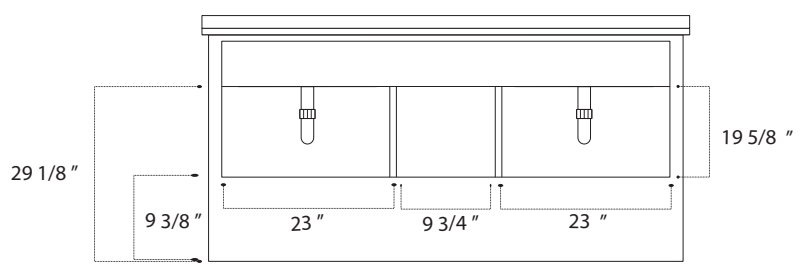
SKU CODE:
DEC306A

FRONT



COLLECTION: Designer's Pick
DIMENSIONS: W 60" | D 22" | H 34"

BACK



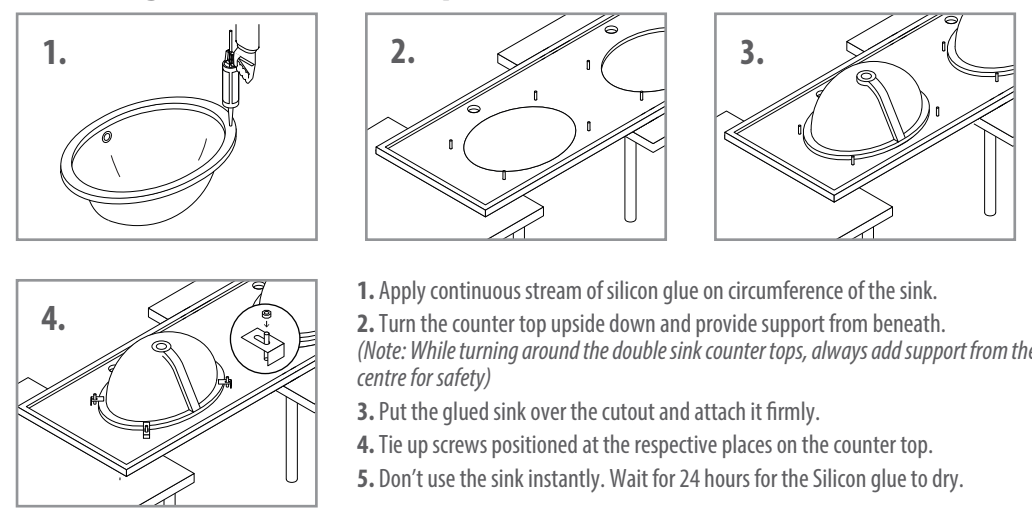
PACKING LIST

- Pre-assembled cabinet
- Countertop
- 2 Sinks
- 1 Mirror
- Mirror mounting screws
- Drain
- Instruction Manual

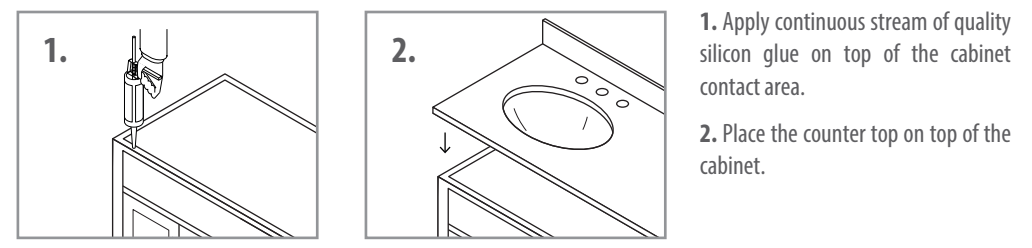
WARRANTY

Design Element warrants cabinets, mirrors, finishes and fittings to be free from defects in workmanship and materials under normal use and service for a period of one (1) year. Please report any damage or missing pieces of your vanity to us immediately. These things must be reported no later than 30 days from the date of delivery.

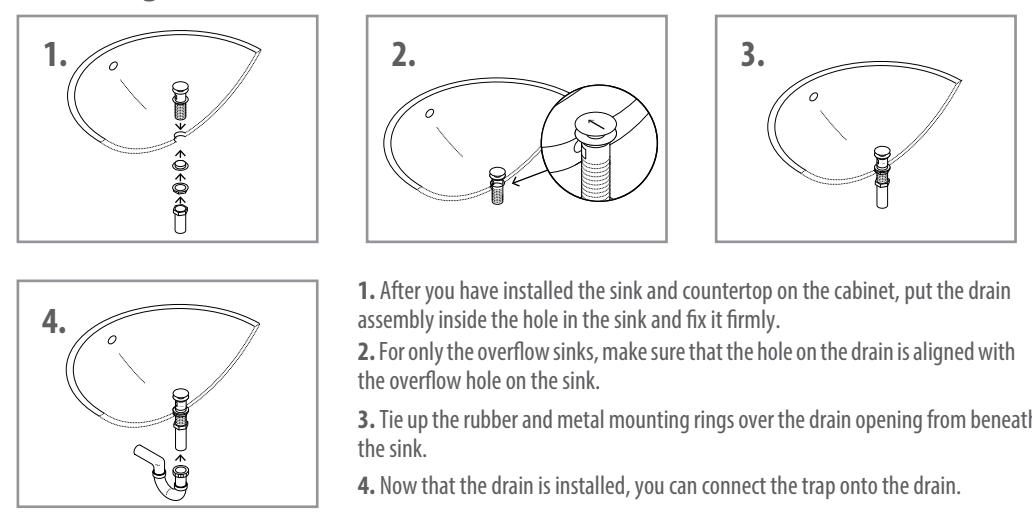
Attaching Sink To Counter Top



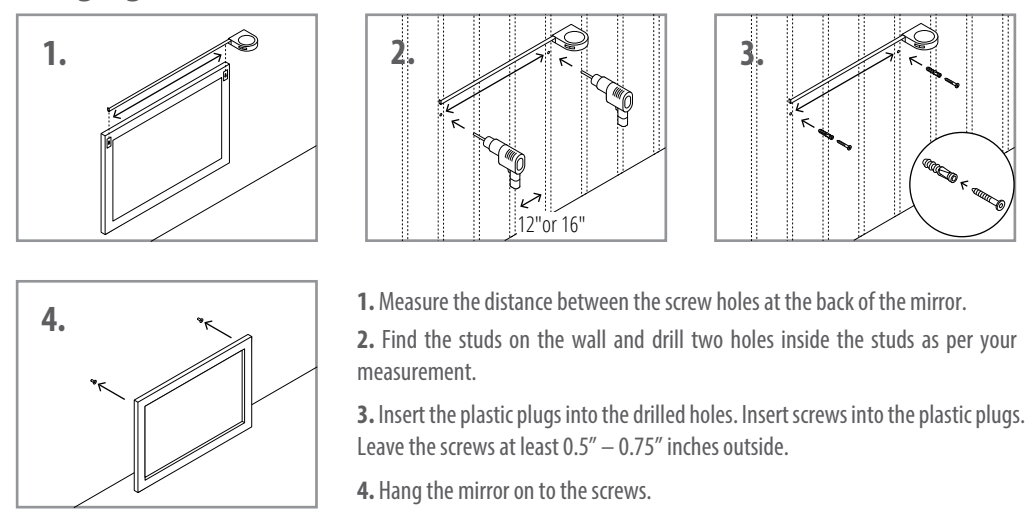
Attaching Counter Top To Cabinet



Installing The Drain On The Sink

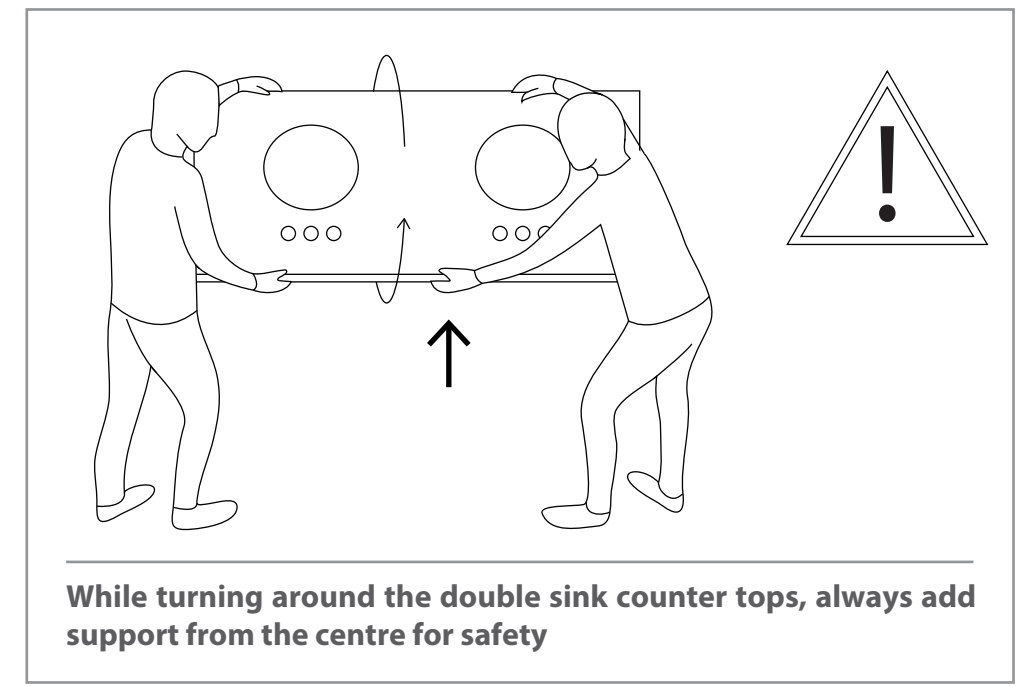


Hanging Mirror On The Wall



SAFETY AND PRECAUTIONS

- Please read and understand this entire manual before attempting to assemble, operate or install the product.
- During installation, handle the countertop and sink with optimum care.
- Once you add glue and fit the countertop / sink, wait for 24 hours to let the glue dry, before using your vanity.



CARE AND CLEANING

- Avoid using any type of rough cleaning material on top of the cabinet finish.
- Use mild liquid soap and water-dampened soft cloth to remove stains from the cabinet and to clean the countertop.
- For the glass part of the mirror, use ammonia-free cleaning products.

CONTACT SUPPORT

PHONE: (888) 487-4488
EMAIL: cs@designelementusa.com
ADDRESS: 8715 Boston place, Rancho Cucamonga, CA. 91730

www.designelementusa.com

