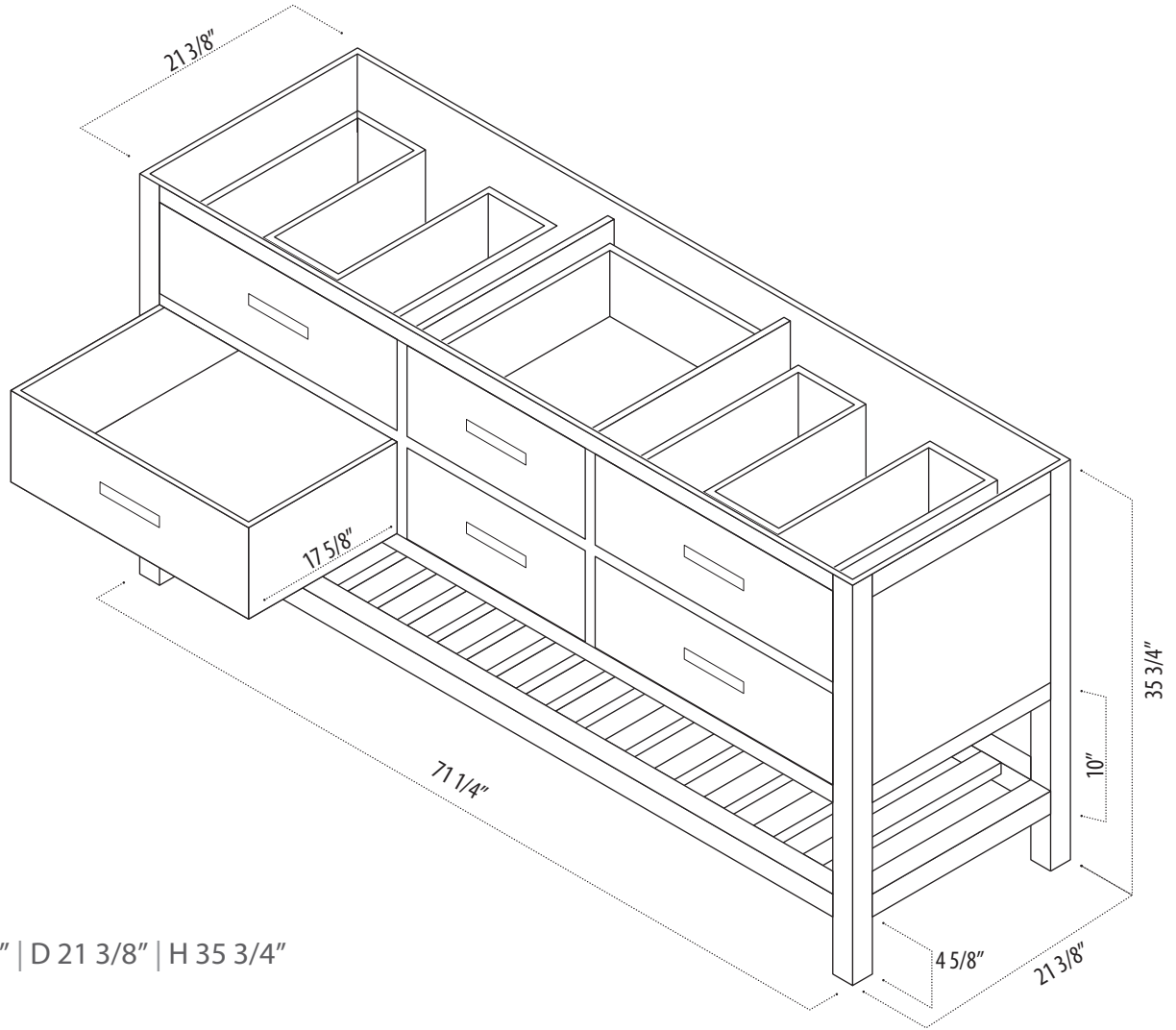


INSTRUCTION MANUAL

SKU CODE:

DEC077B-CB



COLLECTION: London

SERIES: Cambridge

DIMENSIONS: W 71 1/4" | D 21 3/8" | H 35 3/4"

PRODUCT OVERVIEW

- Solid hardwood cabinet
- Espresso Finish
- 4 large pull out functional drawers
- 2 Centre Drawers
- Satin nickel finish hardware

CARE AND CLEANING

- Avoid using any type of rough cleaners or chemicals on the finish.
- Use a mild liquid soap and a soft cloth to clean white carrera marble piece placed on top of the cabinet
- Scrub the cabinet smoothly, while cleaning do not remove or scratch the finish.

WARRANTY

Design Element warrants marble, fittings and finishes to be free from any defect in workmanship and materials under normal use and service for a period of one (1) year. In case of any damage, report it within 30 days.

CONTACT SUPPORT

PHONE: (888) 487-4488

EMAIL: cs@designelementusa.com

ADDRESS: 8715 Boston place, Rancho Cucamonga, CA. 91730