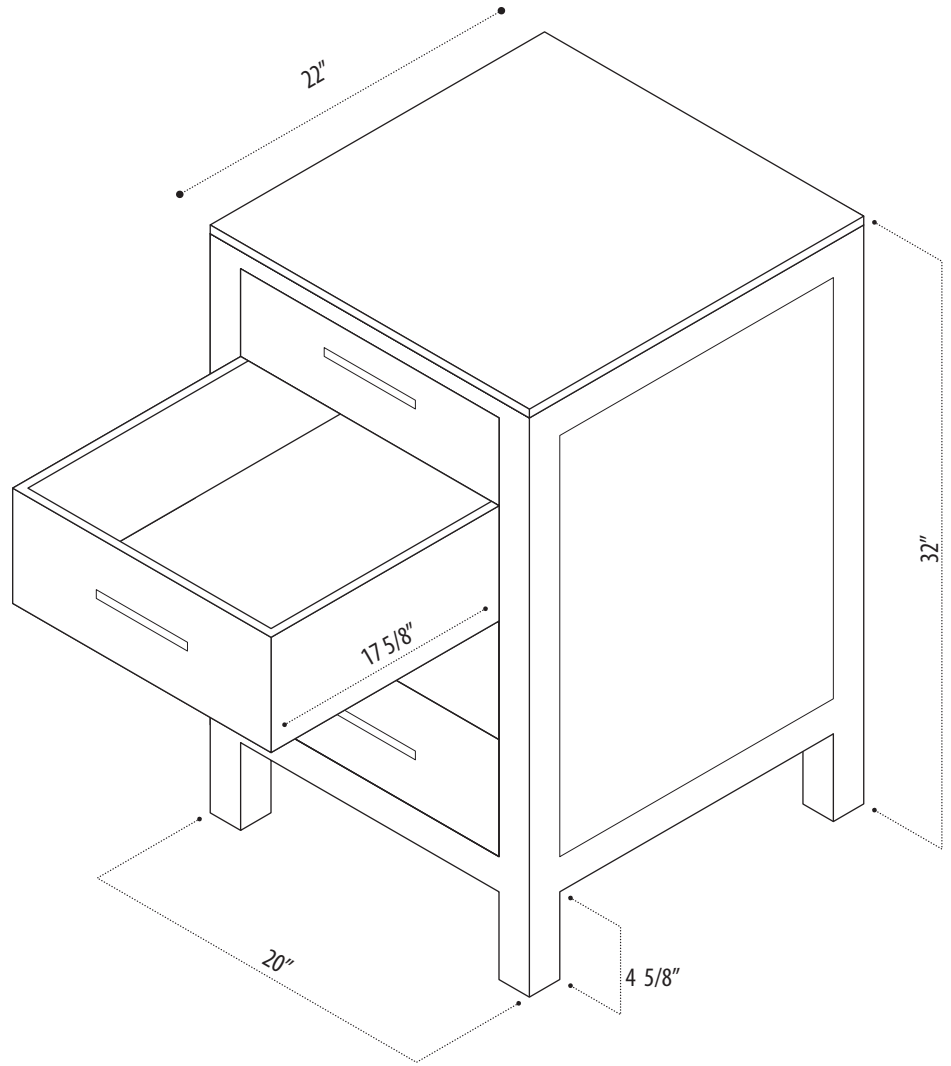


# INSTRUCTION MANUAL

SKU CODE:

**CAB076-W-20**



**COLLECTION:** London

**DIMENSIONS:** W 20" | D 22" | H 32"

## PRODUCT OVERVIEW

- Solid hardwood cabinet
- White Finish
- Carrera white marble countertop
- Four functional pull out drawers
- Satin Nickel Hardware

## CARE AND CLEANING

- Avoid using any type of rough cleaners or chemicals on the finish
- Use a mild liquid soap and a soft cloth to clean white carrera marble piece placed on top of the cabinet
- Scrub the cabinet smoothly, while cleaning do not remove or scratch the finish.

## WARRANTY

Design Element warrants marble, fittings and finishes to be free from any defect in workmanship and materials under normal use and service for a period of one (1) year. In case of any damage, report it within 30 days.

## CONTACT SUPPORT

**PHONE:** (888) 487-4488

**EMAIL:** [cs@designelementusa.com](mailto:cs@designelementusa.com)

**ADDRESS:** 8715 Boston place, Rancho Cucamonga, CA. 91730

[www.designelementusa.com](http://www.designelementusa.com)

